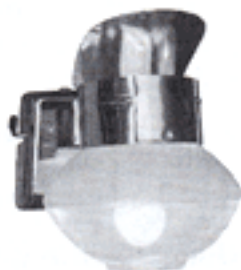


OWNERS GUIDE

Read all information and instructions, including Gaslight Warning Tag attached to light, before installation or use. Retain this guide for future reference.

PAULIN *Humphrey*

INDOOR GASLIGHTS



Information and Instructions

Model 9 and **9B** for homes, cottages, and cabins (preformed mantle).

Model 9T and **9BT** must be used for recreational vehicles (tie-on mantle).

The design of Models 9 and 9T is A.G.A. and C.G.A. certified. The design of Model 9BT is A.G.A. certified. Model 9B is not certified. Installation must conform with local codes or, in the absence of local codes, with the National Fuel Gas Code, ANSI Z223.1 (latest edition), and/or with CAN1-B149.2 (latest edition) installation code for propane and butane burning appliances and equipment, and local codes.



IMPORTANT INFORMATION FOR USING PAULIN INDOOR GASLIGHTS

Use Gaslight only for purposes of illumination. Installation and repair of equipment that operates on propane or butane gas is a job for experts. Do not attempt to install or repair your gaslight unless you have been thoroughly trained and are experienced in such matters. If your gaslight appears to be malfunctioning, turn it to the "OFF" position and immediately contact your local dealer or the Paulin factory.

After installation and before use, have qualified gas personnel approve your installation and check for gas leaks using a leak detector. Tubing, fittings, gaslight valve, and any other gas transporting component should be checked.

Use your gaslight in vented rooms only.

Carbon monoxide is produced by the incomplete combustion of fuel.

Attention Installer:

A.G.A. and C.G.A. regulations require that you leave these instructions with the appliance for the consumer.

CAUTION If you smell gas:

1. Shut off gas to the appliance.
2. Open windows.
3. Don't touch electrical switches.
4. Extinguish any open flame.
5. Immediately call your gas supplier.

Do not store or use gasoline or other flammable vapors and liquids in the vicinity of this or any other appliance.

RECOMMENDED MAINTENANCE

The following matters should be dealt with as frequently as necessary in your particular case. If your gaslight has been out of use for a period of time, examine it before lighting it.

Keep area clear and free from combustible materials, including gasoline and other flammable vapors and liquids. Flow of combustion air and ventilation air must not be obstructed.

Use propane gas only for models 9 and 9T. Propane gas must be to this rating: 2500 to 2530 B.T.U. per cubic foot. Paulin propane gas nozzles are drilled to this rating only. They will not function properly if used otherwise. See "Gaslight Warning Tag."

Use butane gas only for Models 9B and 9BT. Butane gas must be used to this rating: 3175 to 3200 B.T.U. per cubic foot. Paulin butane gas nozzles are drilled to this rating only. They will not function properly if used otherwise. See "Gaslight Warning Tag".

Natural gas. Paulin gaslights can be used with natural gas, but **only** as follows: Natural gas must be to this rating: 1000 to 1100 B.T.U. per cubic foot (4 inches of water column / 2.18 oz. of mercury). Do **not** use propane or butane gas nozzles. Use Paulin Nozzle, # L9-51A.

Propane or butane gas supply tank and regulator. Gas supply tank must not be overfilled. Regulator must be adjusted to operate at a pressure of 11 inches of water column (27.9 cm) (6 oz. of mercury). This same gas pressure must be maintained at the nozzle of the gaslight. Higher or lower pressures will cause the gaslight to malfunction.

Copper gas tubing. Copper gas tubing must be internally tinned to meet National Gas Code Standards unless otherwise directed by local codes.

Nozzle. All gaslights are equipped with standard propane nozzles. To use gaslights at elevations of 4500 feet or more above sea level, order High Altitude Nozzle, #L9-52A for propane gas, or #L9-61A for butane gas.

Note: Never touch drilled hole in nozzle as it is extremely delicate. Use compressed air to clean the nozzle. Pins, wire, even oil from hands may disturb proper gas flow. Replace nozzle if in question.

Both Series 9 and 9T are ready to use with PROPANE ONLY, at altitudes under 4,500 ft. The following gas nozzles are available for these other applications:

FUEL TYPE	GAS NOZZLE
BUTANE	L9-60A
PROPANE (High Altitude)	L9-52A
BUTANE (High Altitude)	L9-61A

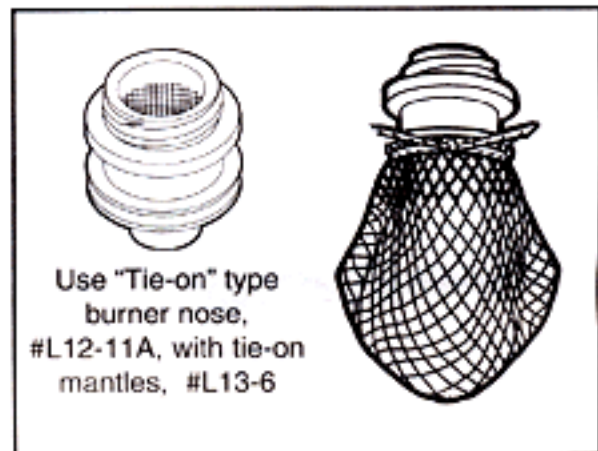
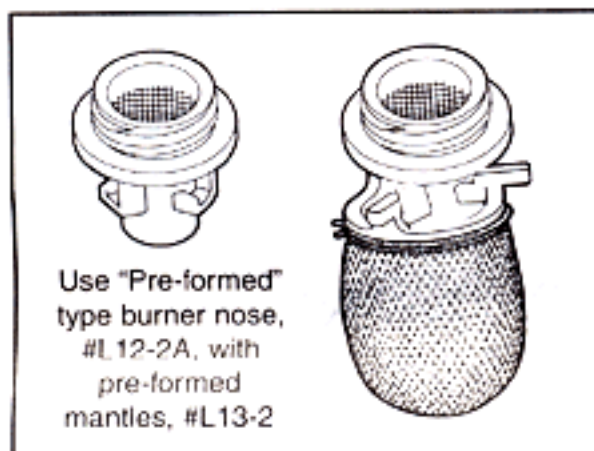
Valve Assembly. The valve assembly must be straight on the wall bracket. Bracket can become cocked or bent when tightening copper tubing, flare nut, etc., causing nozzle to be aimed crooked. Gas flow through the nozzle must be aimed straight down the center of the bunsen.

When gaslight is operating properly, gas consumption is 2000 B.T.U. per hour. One "pound" of propane or butane gas produces approximately 12 hours of light.

Permanent screws that attach valve assembly to wallplate should never be loosened or removed. Removing valve assembly from wallplate will void warranty.

RECOMMENDED MAINTENANCE CONTINUED

Mantles. Use Paulin mantles which are designed for use with propane and butane gas only. Never use broken mantles. Inspect for carbon deposits each time gaslight is used. Clean or replace defective mantles immediately. Use proper ceramic burner nose and mantle combination. (Example: "Tie-on" type burner nose, #L12-11A, with tie-on mantles, #L13-6. Or "Pre-formed" type burner nose, #L12-2A, with pre-formed mantles, #L13-2.) Also see "Mantle Installation and Lighting Instructions."



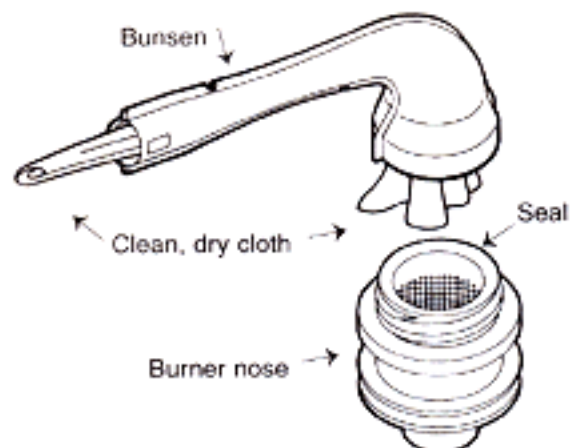
Burner Nose Screen. Screen must be in threaded end of burner nose. Gaslight will not function properly if screen is missing.

Seal. Seal is placed on threaded end of burner nose. Seal and burner nose should be screwed securely into bunsen. The seal must be replaced anytime the burner nose is removed after the lamp has been used.

Bunsen. Flow of combustion air and ventilation air must not be obstructed. To ensure proper air flow and gas mixture, the inside of the bunsen must be clean and free of any material that may potentially accumulate, such as spider webs, insects, etc. Make a periodic visual check of the bunsen. The bunsen can be cleaned by drawing a clean, dry cloth through it. It can also be cleaned by blowing it out with compressed air. *Never attach a mantle directly to the bunsen.*

BUNSEN CLEANING INSTRUCTIONS

1. Remove burner nose.
2. Pull a clean dry cloth through bunsen to clean out foreign material.
3. Replace seal. Reassemble burner nose and tighten securely.
Note: Always replace seal if lamp has been previously lit.



GASLIGHT LOCATION, MOUNTING, & ASSEMBLY

Read all instructions and Gaslight Warning Tag (attached to light) before installing light.

Make sure that the gas supply is turned OFF at the supply tank and that the gaslight valve handle is in the "OFF" position.



Plumbing Supplies

The following plumbing supplies are needed for installation. They are available from your local gas dealer.

Copper Tubing

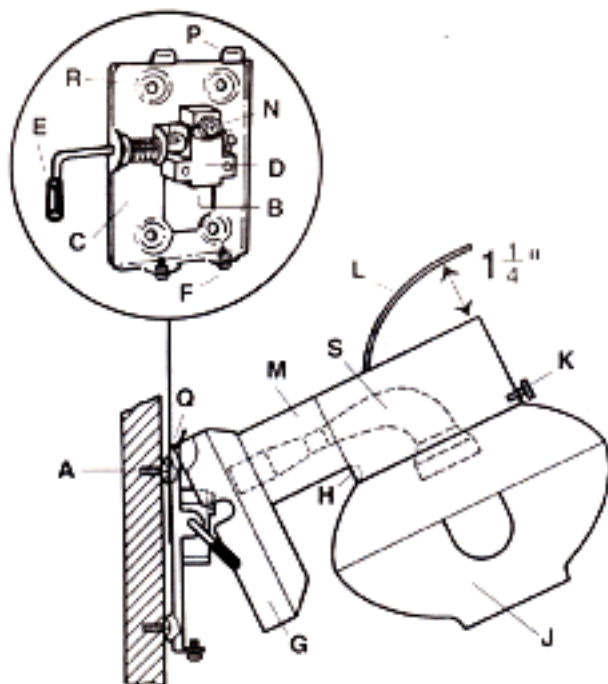
Internally tinned copper tubing, 3/8-inch outside diameter, is recommended. Copper tubing must be internally tinned to meet National Fuel Gas Code unless otherwise directed by local codes.

Fittings If 3/8-inch copper tubing is used, a 3/8-inch Flare Male Connector x 1/8 NPT Straight Fitting is required, Paulin #L22-12A (included).

If Gaslight is to be connected from behind (through wall), a 1/8 NPT Street Elbow (Male-Female), Paulin #L22-23A (included) must be used in addition to the Straight Fitting.

*Permanent screws that attach valve assembly to wallplate **should never be loosened or removed.** Removing valve assembly from wallplate **will void warranty.***

Minimum of 4 inches to a combustible ceiling



- A Mounting Screws (4)
- B Gas Inlet (1/8 Female NPT)
- C Wall Bracket Assembly
- D Valve Assembly
- E On/Off Lever
- F Valve Cover Lock Screw (2)
- G Valve Cover
- H Globe Holder Tab (2)
- J Globe
- K Globe Lock Screw
- L Heat Deflector
- M Globe Holder
- N Nozzle
- P Wall Bracket Tab (2)
- Q Valve Cover Slot (2)
- R Wall Bracket Boss (4)
- S Bunsen

Minimum of 3 inches to a combustible surface on all sides (except back)

Location of Indoor Gaslight

Always mount gaslight on an open wall or from ceiling with pendant kit. Never mount gaslight in a boxed-in or recessed area.

Wall Bracket Assembly (C) must be mounted so that Heat Deflector (L) is a minimum of four inches from a combustible surface, and outside of Globe (J) is a minimum of three inches from a combustible surface to either side or in front.

Assembly

First, remove all packaging materials from gaslight.

1. Remove Wall Bracket Assembly (C) and visually identify Valve Assembly (D) and Nozzle (N). From center of Nozzle, measure a minimum of seven inches below an overhead combustible surface, and a minimum of ten inches from a combustible surface at the front. These dimensions will provide the minimum clearance to combustible surfaces for the Heat Deflector and Globe. DO NOT TOUCH, DISTURB OR DAMAGE HOLE IN NOZZLE, even oil from hands can interfere with proper gas flow.

If gas supply is to be connected through bottom of Valve Cover (G) remove Knockout tab (twist out using pliers) in valve cover before proceeding.

2. Connect internally tinned copper tubing to Gas Inlet (B) using proper fitting (See "Fittings" page 4). It is easier to connect the tubing before fastening Wall Bracket Assembly to wall (also Wall Bracket Assembly is less likely to be bent). Valve Assembly (D) must be straight on the Wall Bracket Assembly. Nozzle (N) must aim into the center of the Bunsen (S) for proper air and gas mixture.

3. Fasten Wall Bracket Assembly to wall using four mounting screws (A) supplied. CAUTION: DO NOT OVER-TIGHTEN SCREWS. The four Bosses (R) on the Wall Bracket Assembly must not be imbedded in the wall because air must circulate behind the Wall Bracket Assembly to prevent scorching.

4. Attach Valve Cover Assembly (G) to Wall Bracket Assembly by engaging Slots (Q) with Wall Bracket Assembly Tabs (P).

5. Carefully swing down the Valve Cover Assembly so that the slots in the bottom of valve cover engage Lock Screws (F). Tighten Lock Screws.

6. Check the following dimensions:

Minimum of 4 inch clearance from top of Heat Deflector (L) to ceiling.

Minimum of 3 inch clearance from outer edge of Globe to both sides and front.

Ensure 1-1/4 inch dimension between Heat Deflector and Globe Holder (M).

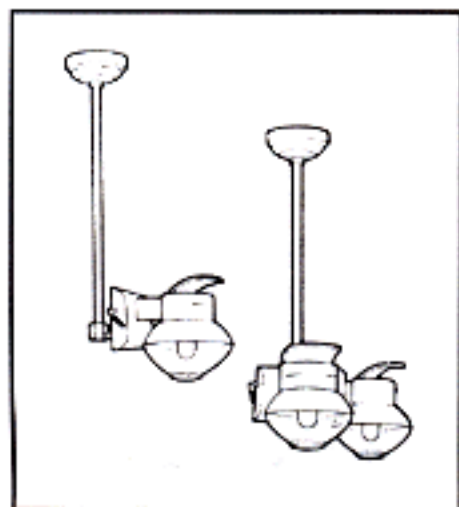
7. Loosen Globe Lock Screw (K), and remove Globe. Be sure that all packaging material has been removed. Attach mantle.

8. Attach Globe after installing mantle but before burn-off (See "Mantle Installation and Lighting Instructions") by engaging Tabs (H) and inserting Globe so that Globe Lock Screw can be tightened into the neck of the Globe. Do not over-tighten.

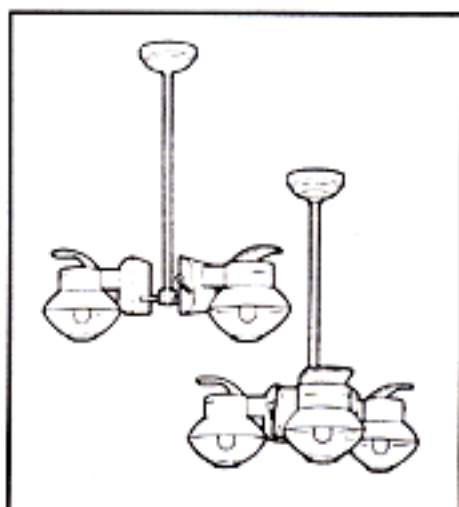
Replacement parts and accessories are available from your local gas dealer or from B.P. Products Inc.

OPTIONAL OPK "3-IN-1" KIT

Suspends the gaslights in single, double or triple pendants.



Ideal for over sink or in corner.



Ideal for center of room.

HOW TO ASSEMBLE THE OPK "3-IN-1" KIT

Gas Supply (1/8 NPT Female). 3/8 tubing is recommended.

Maintain a minimum of 4" clearance to ceiling, wall, or any other combustible surface.

Canopy holding ring & screw

Use Long (1-1/2") nipples for triple pendant. Use short (13/16") nipples for double pendant.

Three-outlet distributor. Use on this end of 3/8" pipe for triple pendant light. Use two-outlet distributor on this end for double pendant light. Use remaining distributor to connect gas supply at other end of pipe. Use 1/8" NPT pipe plugs to plug unused ports.

